

## EUROVAC HIGH VOLUME DUST AND FUME EXTRACTION SYSTEMS

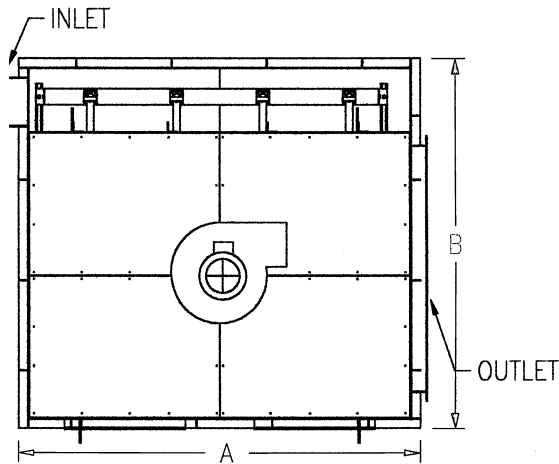


*A complete range of high volume fume extraction systems for welding and dust extraction systems for saws, routers, grinders, sanders and planers.*

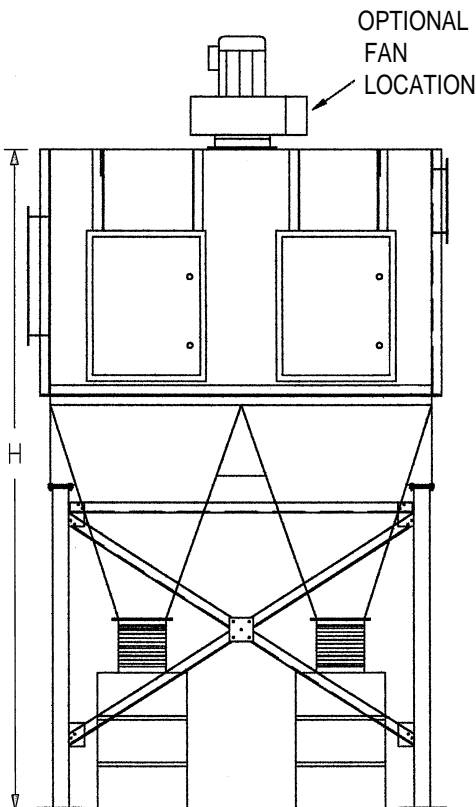


- Heavy duty welded construction
- State-of-the-art filtration ... primary cyclonic filtration and secondary polyester cartridge filters with automatic compressed air PulseJet cleaning. Other filtration systems available for specific applications.

## SCC SERIES – TOP VIEW



## SCC SERIES – SIDE VIEW



## SCC SERIES

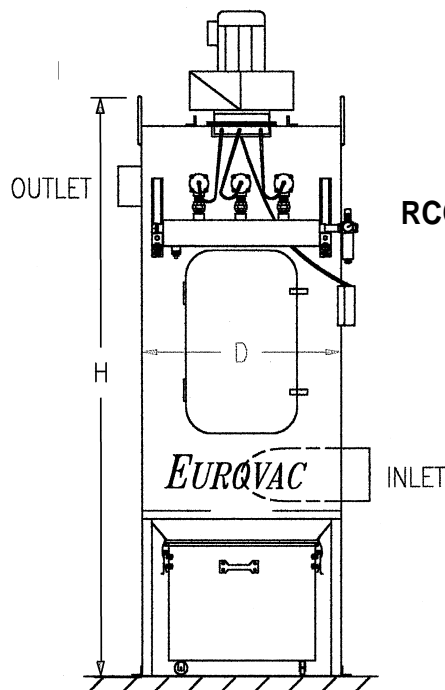
Model	Width (A)	Length (B)	Height	No. of Filters	Filter Area (Sq. Ft.)	Max. Flow (CFM)	Waste Can (Qty.)
SCC-4	40	36	120	4	400	2,200	1
SCC-8	40	68	144	8	800	3,400	1
SCC-12	54	70	146	12	1,200	4,200	2
SCC-16	78	72	150	16	1,600	6,500	2
SCC-24	110	76	180	24	2,400	8,600	2
SCC-32	150	80	150	32	3,200	12,000	4
SCC-48	228	86	176	48	4,800	18,500	4

## RCC SERIES

Model	Diameter (D)	Height (H)	Filter Length	No. of Filters	Filter Area (Sq. Ft.)	Max. Flow (CFM)	Waste Can (Cu. Ft.)
RCC-302	30	84	36	2	140	560	3.9
RCC-303	30	84	36	3	210	800	3.9
RCC-426	42	108	36	6	420	1,500	8.2
RCC-549	54	120	36	9	630	3,000	8.2
RCC-669	66	136	48	9	840	4,200	9.8
RCC-7212	72	144	48	12	1,120	6,000	9.8

### Note:

- The above collectors are also available in other waste can configurations.
- Filter cartridges are spun-bonded polyester standard.
- Other configurations are also available, consult the factory.
- All dimensions are in inches.



## RCC SERIES – SIDE VIEW