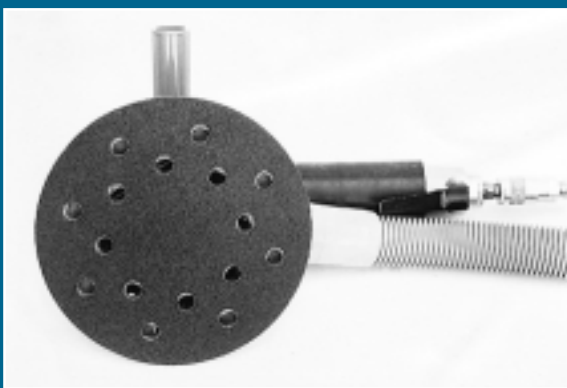


**ELIMINATE
SANDING AND
GRINDING
DUST AT THE
SOURCE**



Eurovac I

The Ultimate in Dust Control Technology



- A low cost solution to sanding and grinding dust problems.
- Most sanding and grinding dust is harmful to the health.
- A properly installed Eurovac I System virtually eliminates sanding dust.
- Costs are reduced because sandpaper and discs last up to 40% longer.
- Cuts clean-up costs and increases production.

EUROVAC DUST EXTRACTION SYSTEM

EUROVAC I — THE TOUGH INDUSTRIAL GRADE SYSTEM

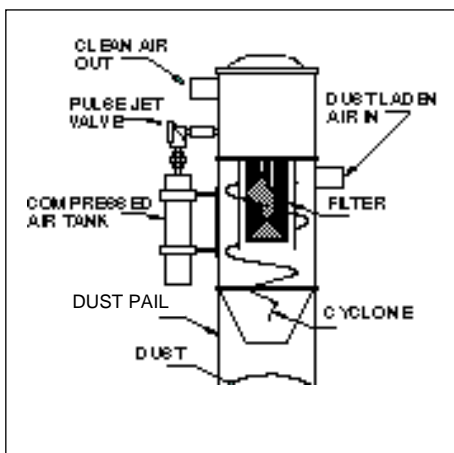
Eurovac pioneered dust extraction systems for use with vacuum assist tools with the introduction of the Eurovac Mark I in 1984. Since then, we have installed over 2,000 systems throughout North America!

RELIABLE, MAINTENANCE FREE, POWERFUL TURBINE PUMP Heavy duty cast iron turbine pump and "Squirrel Cage" type motor are designed to run continuously all day ... every day. There are no electrical brushes to wear out, and the pump bearings are permanently lubricated and double shielded to protect them from dust contamination.

VERY QUIET OPERATION The overall efficient design and built-in sound deadening system result in extremely quiet operation.

MANY SAFETY FEATURES The motor has a built-in thermal heat protection device, the control panel is equipped with current overload protection, and vacuum relief valves are available to regulate air flow through the system.

SUPERIOR FILTRATION Cyclonic filtration removes 99% of dust before the secondary filter. This results in the unit operating much more efficiently than units which do not have cyclonic filtration. The remaining 1% of dust is removed by a secondary cartridge filter which is automatically cleaned by compressed air pulse jet cleaning action.



Cyclonic separator and secondary cartridge filter with automatic compressed air pulse jet cleaning.

PROPERLY ENGINEERED HEAVY DUTY 2" TO 4" GRADUATED GALVANIZED PIPE

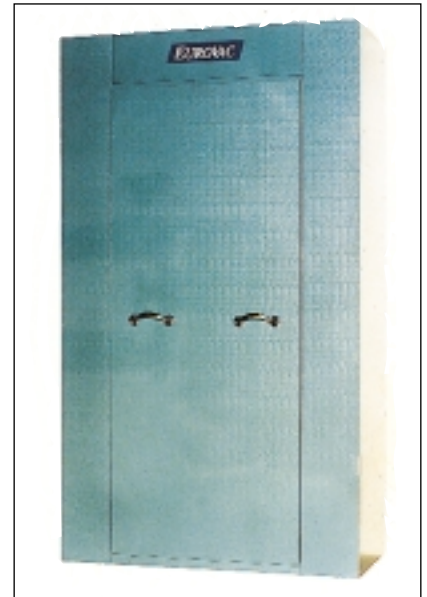
This maintains optimum velocity and reduces friction loss compared to systems with 2" or 3" pipe only.

EASY INSTALLATION The pipe is easy to cut and work with. Connectors and bends are quickly joined to the pipe using heatshrink tape. Work Stations are pre-assembled — and the pump, cyclone and control panel are pre-mounted on a 7' x 4' board.

ENERGY EFFICIENT The pump is available in three phase and it runs at lower speeds than brush type motors.

MANY FEATURES MEAN MAXIMUM CONVENIENCE

- Air lines can be run down to Work Stations, and vacuum hoses are fitted with air lines attached to them. This keeps air lines off the floor of the working area, and makes it easier for shop technicians to operate the system.
- Work Stations can be equipped with micro switches so that the system is automatically turned on and off when the technician plugs in the hose.
- A filter regulator and/or an electrical outlet can be mounted at the Work Station.
- Welding fume attachments are available.
- Eurovac provides assistance with the purchase of new vacuum assist tools or the conversion of existing tools. A full range of vacuum attachments is available.
- An optional vinyl coated metal cabinet is available for sound attenuation.
- The system can be used to extract dust from many other tools including routers, trimmers, miter saws and grinders.



Vinyl covered steel cabinet (in blue or red).



Double Work Station with co-axial air hose.

SPECIFICATIONS*

Horsepower: 5, 6.7, 10, 15, 20
Line Voltage: 208-240, 460 and 575 volts. 3 phase, 60 hertz
Control Voltage: 24 volts, 1 phase, 60 hertz

** Single phase is available upon request.*