

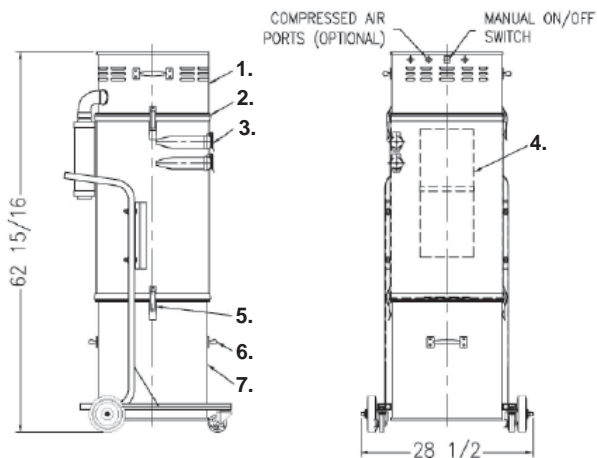
EUROVAC II - GRINDING PORTABLE

Get rid of dust with a Eurovac portable vacuum system and source capture sanders



- Powerful 15.5 amp produces more CFM than any 110 v motor on the market. 1753 watt pump produces 70" of water column; 245 free flow CFM
- Quiet operation particularly for fine dust... motor housing is insulated and baffled for sound.
- On/off feature...motor is turned on and off automatically by air switches when pneumatic tools are activated. This increases the life of the motor and reduces energy costs of running the motor.
- Superior filtration ... combination true cyclonic filtration plus secondary cartridge filter, a standpipe surrounding the cartridge filter does not allow the particulate air entering the inlets to go directly to the cartridge filter. The standpipe forces the air to move down the canister to the cyclone where 85% of the particulate is removed before the secondary cartridge filter (see diagram below). This results in the unit operating much more efficiently than units which do not have true cyclonic filtration.
- Filters are cleaned by simply removing the motor head and blowing compressed air on the clean side of the filters.
- HEPA filtration is available by adding a chamber between the pump and regular filters. The HEPA filter removes the remaining 99.97% of sanding dust to a minimum of .3 micron particle.
- Includes one 25' x 1 1/4" anti static vacuum hoses with 3/8" air lines attached to the vacuum hoses and airlines become one unit.
- Large 20 gallon collection canister mounted on sturdy car with back wheels and front swivel wheels for mobility.

The system can also be used to clean up the shop and office areas with a full range of cleaning accessories.



SPECIFICATIONS

1. Motor: 1753 Watts, 120V, 15.5 amp
70" of Water Column,
245 Free flow CFM

2. Gasket
3. Vacuum Inlets (2)
4. Cartridge Filter
5. Latch

6. Handle
7. Canister - 20 Gallon

Additional Notes:
-Motor complete with manual on/off switch (overload protection).
-Optional compressed air ports for pneumatic tool operated on/off.