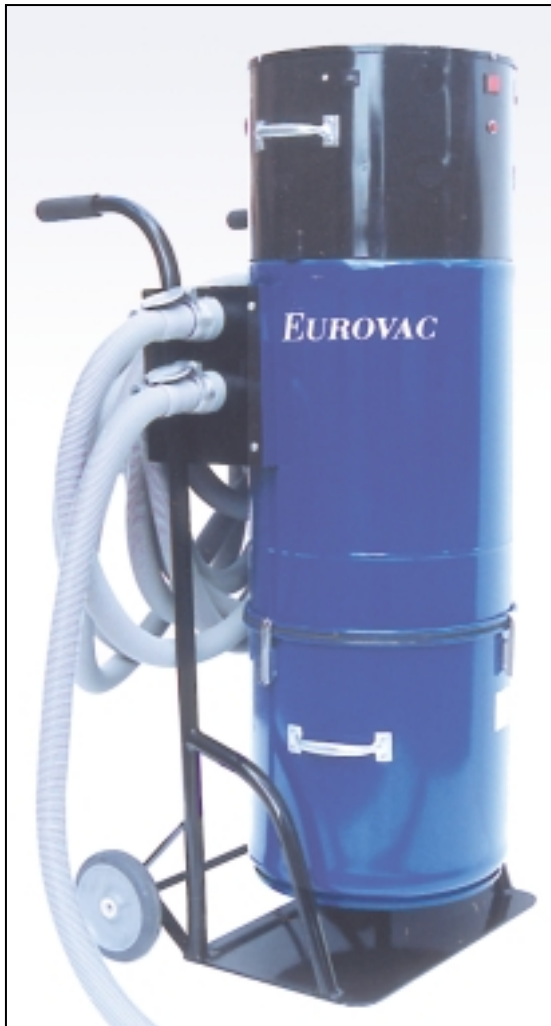


EUROVAC II PORTABLE

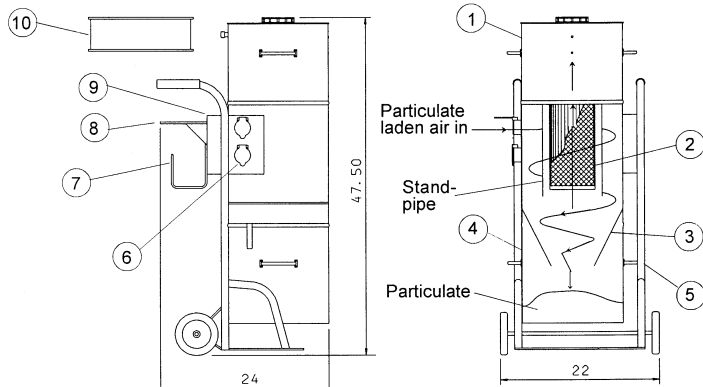
Eliminate welding fumes at the source with a Eurovac II Welding Portable and source capture welding guns and fume attachments



- Powerful 2.5HP, 1440 watt pump produces 110" of water column; 103 free flow CFM.
- Quiet operation ... motor housing is insulated and baffled for sound.
- Superior filtration ... combination true cyclonic filtration plus secondary cartridge filter, a standpipe surrounding the cartridge filter does not allow the particulate air entering the inlets to go directly to the cartridge filter. The standpipe forces the air to move down the canister to the cyclone where 85% of the particulate is removed before the secondary cartridge filter (see diagram below). This results in the unit operating much more efficiently than units which do not have true cyclonic filtration.
- HEPA filtration is available by adding a chamber between the pump and regular filters. The HEPA filter removes the remaining 99.97% of sanding dust to a minimum of .3 micron particle.



A complete range of source capture welding guns and portable welding fume attachments is available.



SPECIFICATIONS

- | | |
|---|---|
| 1. Motor: 1440 Watts, 120 V, 16,475 RPM, 110" of Water Column, 103 CFM | 5. Frame |
| 2. Cartridge Filter | 6. Vacuum Stations (2) |
| 3. Cyclone | 7. Hose Hanger |
| 4. Waste Pail | 8. Storage Tray |
| | 9. Switch: Complete with Overload Protection |
| | 10. HEPA Filter: Optional |