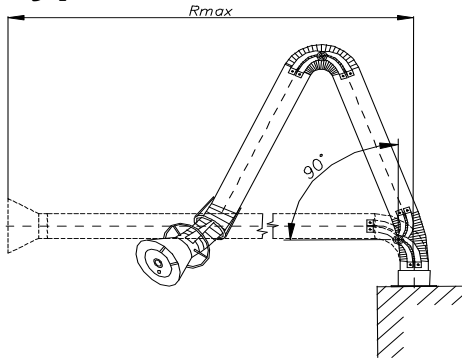
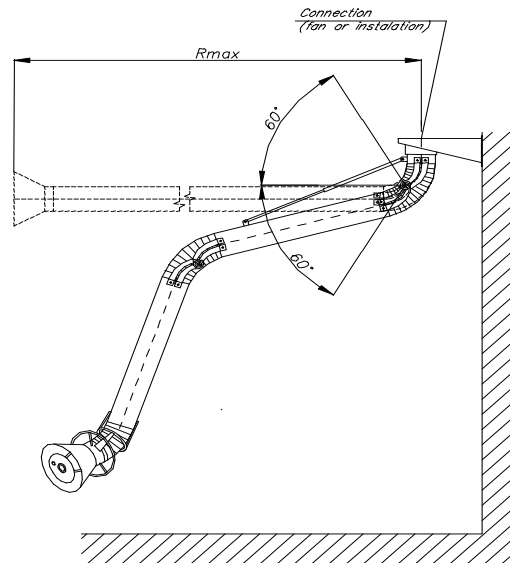


Eurovac® SELF-LOCKING ARM Type 3" 4", 6" and 8".



Eurovac – standing version



Eurovac - hanging version

Eurovac® self-locking arms provide the most economical and effective methods for the capture of fumes. Contaminants are removed at their source. The use of self-supporting joints, flexible hoses and smooth bore tubing allow for easy placement of the arm's hood near the source of a problem.

SPECIFICATION:

Fume arm tubes are fabricated of steel with cast aluminum joints which include friction discs and are fully adjustable to the workers desired tension. The arms include a handle which completely encircles the hood in order to facilitate easy repositioning from all sides. Hood diameters vary from 6" on the 3" arms, to 14" on the 8" arms. Please see chart below. All joints include a 300 degree F hose which is gear clamped to the tube. All hoods are equipped for installation of an optional light kit.

Eurovac self-locking arms can be combined with several accessories to provide the best solution for a particular problem:

- Swinging extension booms to increase reaches by 3 feet to 19.5 feet
- arms with a standing bench mountable flange
- fans or filtering systems

A large variety of hoods can be manufactured to suit a particular requirement. Different diameters and different types of metal tubes are available.

APPLICATIONS:

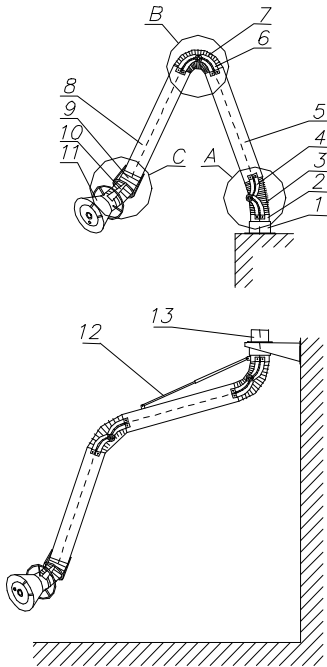
- all welding processes:
- glue fumes, grinding dusts and most air borne dusts
- soldering fumes
- chemical applications such as laboratories (Stainless steel fume arms)

Eurovac Inc.
116 Buttermill Ave.
Concord, ON L4K 3X7

www.eurovac.com email: info@eurovac.com

Ph: 905-738-9255
Fax: 905-738-4603
Toll Free Ph. 1-800-265-3878

CONSTRUCTION:



- 1 Outer sleeve made in steel, powder painted, with mounting flange.
 - 2 Inner sleeve made in aluminium, powder painted; both elements (1, 2) allows for arm rotation of 350° with stop or 360 without stop.
 - 3 Outside "socket" joint elements made in cast aluminium (6" and 8") or steel (3" & 4"), powder painted.
 - 4 Flexible hose with gear clamps.
 - 5 Tube 1 made from rolled sheet steel, zinc coated and powder painted.
 - 6 Outside middle joint elements made in cast aluminium (6" and 8") or steel (3" & 4"), powder painted.
 - 7 Flexible hose with gear clamps.
 - 8 Tube 2 made from rolled sheet steel, zinc coated and powder painted. It includes also manual damper near the hood and additional handle on the tube for easier movement.
 - 9 Flexible hose with gear clamps.
 - 10 Outside hood joint elements made in aluminium, powder painted.
 - 11 Hood made in aluminium, powder painted. Prepared for mounting the optional light kit. Handle encircles the hood.
 - 12 Cylinder spring spanning between aluminium pipes.
- A Socket joint – in standing version support spring is placed inside, in hanging version outside (part 12), outside adjustment in both versions
- B Middle joint - outside adjustment in both versions
- C Hood joint - outside adjustment in both versions, hood can be moved forward, backward and sideways.

TECHNICAL DATA:

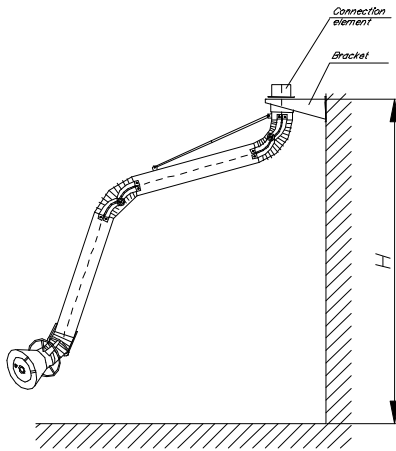
	Model	arm length R _{max} feet / [m]	arm diameter inches / [mm]	available hood diameter inches / [mm]
1	7510	3.28' / 1.0	3 / 76	6 / 160
2	7515	4.92' / 1.5	3 / 76	6 / 160
3	1015	4.92' / 1.5	4 / 100	8 / 200
4	1020	6.56' / 2.0	4 / 100	8 / 200
5	1025	8.2' / 2.5	4 / 100	8 / 200
6	1620	6.56' / 2.0	6 / 160	12 (14) / 315 (350)
7	1630	9.84' / 3.0	6 / 160	12 (14) / 315 (350)
8	1640	13.12' / 4.0	6 / 160	12 (14) / 315 (350)
9	2020	6.56' / 2.0	8 / 200	14 (20) / 350 (500)
10	2030	9.84' / 3.0	8 / 200	14 (20) / 350 (500)
11	2040	13.12' / 4.0	8 / 200	14 (20) / 350 (500)

Add prefix "S" to above to order or specify stainless steel arms
Add suffix "P" to above to order or specify standing flange mounted arms

Eurovac Inc.
116 Buttermill Ave.
Concord, ON L4K 3X7

www.eurovac.com email: info@eurovac.com

Ph: 905-738-9255
Fax: 905-738-4603
Toll Free Ph. 1-800-265-3878



Minimum Recommended height of mounting is:

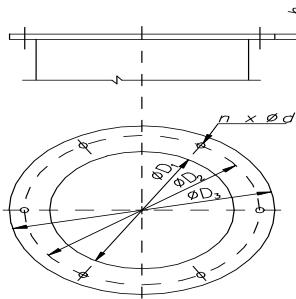
H= 7.1 ft (2.1m) for the 7' (2 M) arms.

H= 9.8 ft (2.9m) for the 10' (3M) arms.

H= 10.5ft (3.3m) for the 14' (4M) arms.

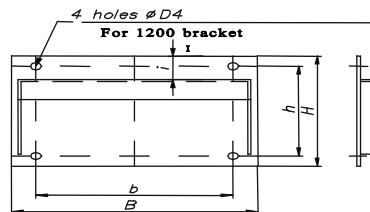
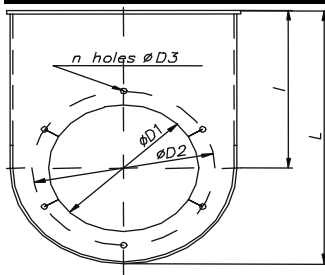
Bracket shown on thee drawing must be ordered separately. It is possible to mount both versions (hanging and standing) of arm on the bracket. For information see technical data sheet for brackets.

MOUNTING FLANGES EUROVAC FUME ARMS:

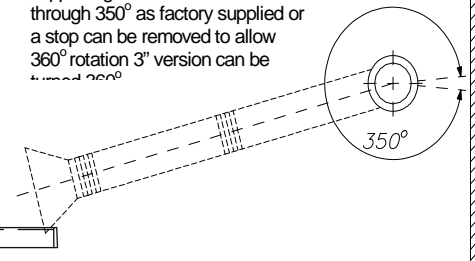


diameter of arms [inches]	n	d [in.]/[mm]	D1 [in.]/[mm]	D2 [in.]/[mm]	D3 [in.]/[mm]	h [in.]/[mm]
3"	4	.26 / 6.5	2.85 / 72	4.41 / 112	4.92 / 125	.20 / 5
4"	4	.26 / 6.5	3.78 / 94	5.28 / 134	5.83 / 148	.20 / 5
6"	6	.28 / 7	6.02 / 153	7.68 / 195	8.66 / 220	.26 / 7
8"	8	.35 / 9	7.79 / 198	9.68 / 246	10.83 / 275	.35 / 9

Arm Wall Mounting Bracket



4", 6" and 8" Eurovac self-supporting arm can be turned through 350° as factory supplied or a stop can be removed to allow 360° rotation 3" version can be turned 360°



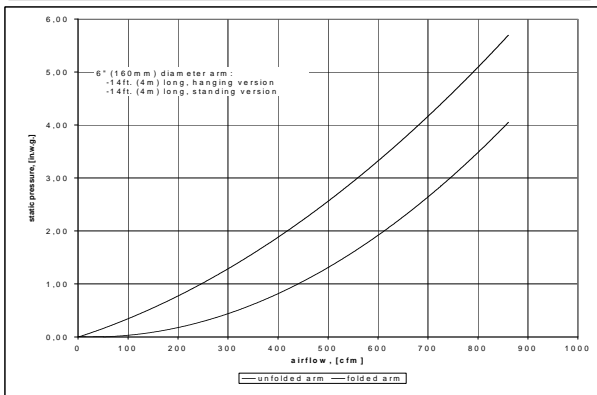
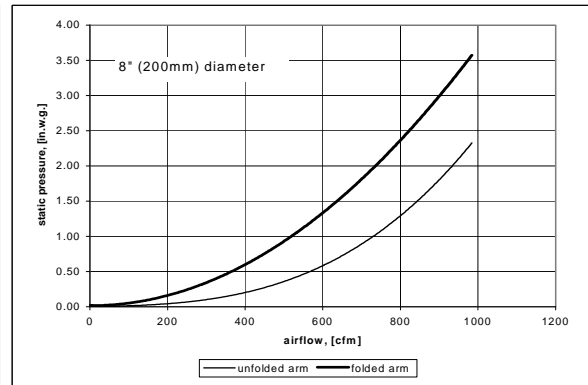
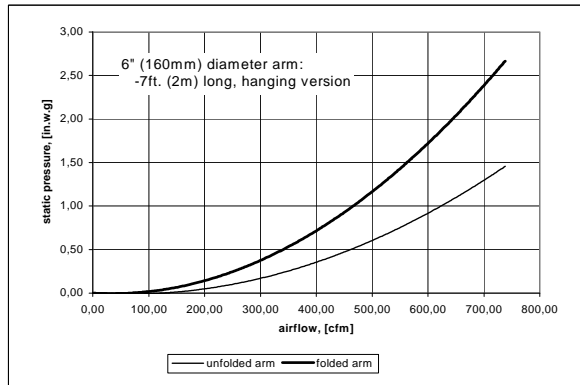
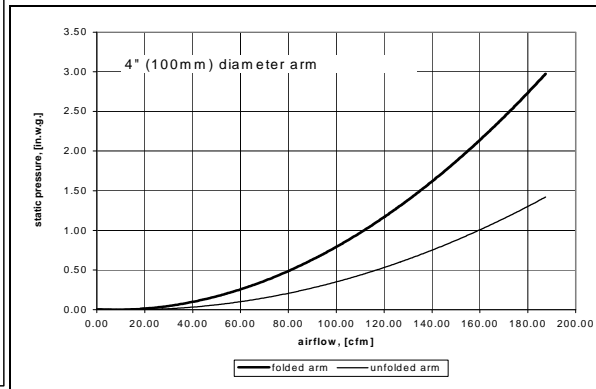
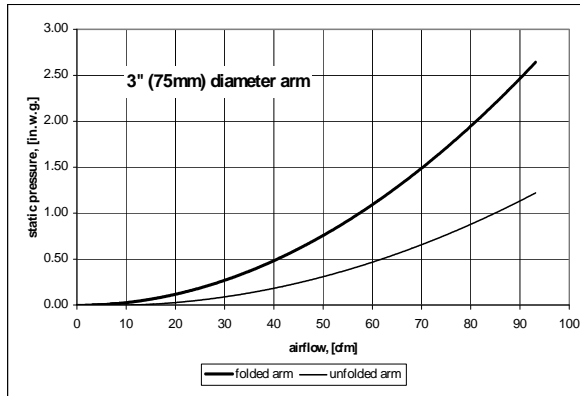
Bracket type	Dimensions [inches] / [mm]											
	ϕD_1	ϕD_2	n	ϕD_3	ϕD_4	L	l	H	h	B	b	i
7500	3.15 / 80	4.41 / 112	4	0.28 / 7	0.32 / 8.2	6.69 / 170	3.54 / 90	3.94 / 100	2.76 / 70	5.43 / 138	4.25 / 108	-
10000	3.94 / 100	5.28 / 134	4	0.28 / 7	0.32 / 8.2	7.48 / 190	3.94 / 100	3.94 / 100	2.76 / 70	6.30 / 160	5.12 / 130	-
12500	4.92 / 125	6.50 / 165	6	0.28 / 7	0.43 / 11	9.96 / 253	6.02 / 153	6.30 / 160	5.12 / 130	9.45 / 240	7.87 / 200	1.38 / 35
16000	6.30 / 160	7.68 / 195	6	0.28 / 7	0.43 / 11	14.72 / 374	10.00 / 254	6.50 / 165	5.31 / 135	9.84 / 250	7.87 / 200	1.38 / 35
20000	8.07 / 205	9.69 / 246	8	0.35 / 9	0.43 / 11	18.11 / 460	12.36 / 314	9.84 / 250	8.27 / 210	12.99 / 330	11.42 / 290	1.57 / 40

Eurovac Inc.
116 Buttermill Ave.
Concord, ON L4K 3X7

Ph: 905-738-9255
Fax: 905-738-4603
Toll Free Ph. 1-800-265-3878

www.eurovac.com email: info@eurovac.com

DIAGRAMS OF AIRFLOW FOR SOME SELF-SUPPORTING ARMS



Recommended airflow for arms Eurovac®	
Diameter of arm:	Airflow [cfm]
3"	65 to 95
4"	90 to 180
6"	615 to 800
8"	860 to 1100

Eurovac Inc.
116 Buttermill Ave.
Concord, ON L4K 3X7

www.eurovac.com email: info@eurovac.com

Ph: 905-738-9255
Fax: 905-738-4603
Toll Free Ph. 1-800-265-3878