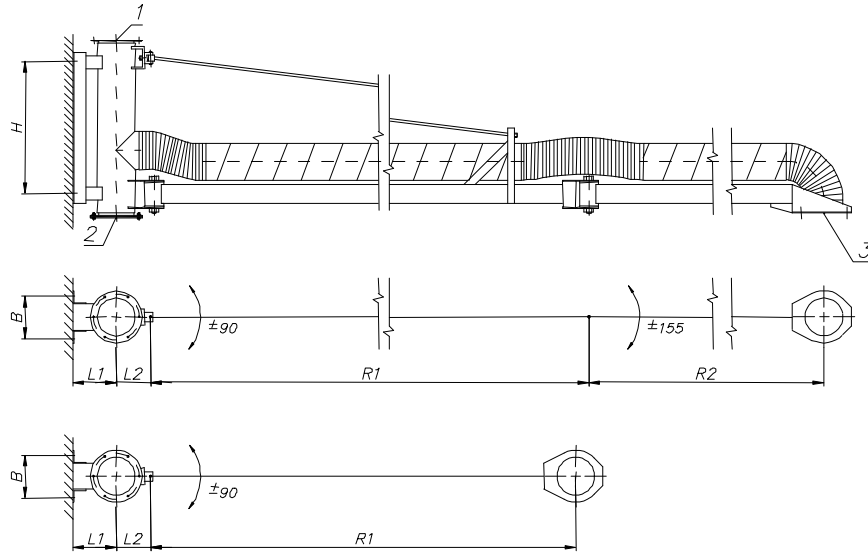


Cat. no from 52160 to 52420

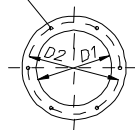
PIVOTING EXTENSION BOOMS



Holes dimensions
of mounting seats

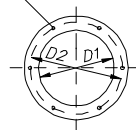
pos. 1,2

n holes $\varnothing D$



pos. 3

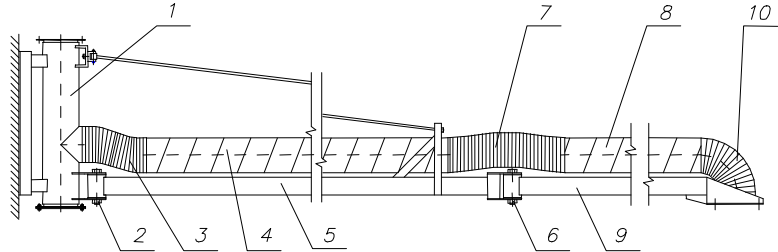
n holes with
thread M



Eurovac swinging extension booms are designed to enlarge the area of reach of Eurovac products such as the Eurovac self supporting fume arms and vehicle exhaust equipment such as hose reels and hoses. The extension booms aid in reaching points which are distant from a wall or other mounting areas. Extension booms can also be used to support items such as feeders or to undersling hoses or cables in conjunction with their primary function. The swivel section of the extension boom is made of rolled steel pipe which is capped on the bottom. The top of the pipe is adapted to accept a fan or flanged duct connection. The extension beams are manufactured of heavy gauge square steel tubing with a bearing swivel. The spiral ducting mounted along the beam has a diameter of 4", 6" or 8". Standard units are supplied with brackets for mounting fume arms. Double pivot type extension booms are divided by a center bearing hinge which allows the user to reach back under the extension boom.

CONSTRUCTION:

- 1 Mounting bracket made in steel, powder painted
- 2 Primary Ball Bearing Hinge joint
- 3 Flexible hose
- 4 Ducting system spiral pipe
- 5 Beam made of steel square tubing
- 6 Secondary Ball Bearing Hinge joint
- 7 Flexible hose
- 8 Ducting system spiral pipe
- 9 Beam made of steel square tubing with mounting bracket for Eurovac self-supporting fume arm
- 10 Flexible hose



ENGINEERING DIMENSIONAL DATA: (SEE DRAWING ON THE FRONT PAGE):

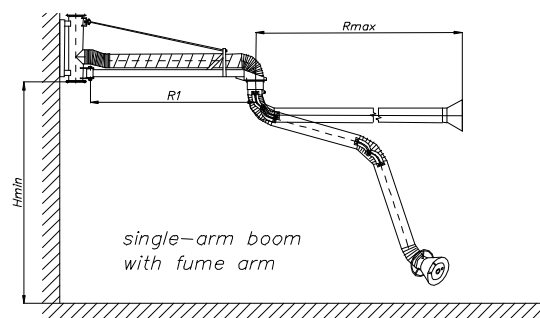
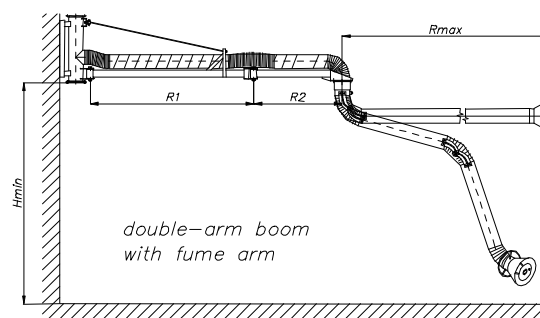
Extension boom type	Reach of work [feet]/[m]			Weight Q1 [lb]/[kg]	Ducting system diameter [inches] / [mm]	Minimum mounting height [feet] / [m]	Net surplus capacity Lb / kg	Number of pivots
	R1	R2	Total					
52160	6 / 1.9	-	6 / 1.9	124 / 58	6 / 152	7.8 / 2.4	110/50	Single
53160	9.3 / 2.9	-	9.3 / 2.9	139 / 66	6 / 152	7.8 / 2.4		Single
54160	12.6 / 3.8	-	12.6 / 3.8	154 / 74	6 / 152	7.8 / 2.4		Single
55160	15.3 / 4.8	-	15.3 / 4.8	170 / 82	6 / 152	7.8 / 2.4	110 / 50	Single
56160	18.6 / 5.8	-	18.6 / 5.8	188 / 91	6 / 152	7.8 / 2.4	110 / 50	Single
51216	5.9 / 2.0	3.6 / 1.1	9.5 / 3.1	161 / 74	6 / 152	7.8 / 2.4	110 / 50	Double
51316	9.8 / 3.0	3.6 / 1.1	13.4 / 4.1	177 / 82	6 / 152	7.8 / 2.4	110 / 50	Double
51416	12.5 / 3.8	3.6 / 1.1	16.1 / 4.9	194 / 91	6 / 152	7.8 / 2.4	110 / 50	Double
52216	5.9 / 2.0	5.9 / 1.8	11.8 / 3.8	172 / 79	6 / 152	7.8 / 2.4	110 / 50	Double
52316	9.8 / 3.0	5.9 / 1.8	15.7 / 4.8	188 / 87	6 / 152	7.8 / 2.4	110 / 50	Double
52416	12.5 / 3.8	5.9 / 1.8	18.4 / 5.6	207 / 97	6 / 152	7.8 / 2.4	110 / 50	Double
52200	6.9 / 2.1	-	6.9 / 2.1	227 / 104	8 / 200	7.8 / 2.4	110 / 50	Single
53200	9.5 / 2.9	-	9.5 / 2.9	247 / 111	8 / 200	7.8 / 2.4	110 / 50	Single
54200	12.5 / 3.8	-	12.5 / 3.8	269 / 126	8 / 200	7.8 / 2.4	110 / 50	Single
55200	16.1 / 4.9	-	16.1 / 4.9	294 / 135	8 / 200	7.8 / 2.4	110 / 50	Single
56200	19.4 / 5.9	-	19.4 / 5.9	318 / 150	8 / 200	7.8 / 2.4	110 / 50	Single
51220	5.9 / 1.9	3.6 / 1.1	9.5 / 3.0	272 / 125	8 / 200	7.8 / 2.4	110 / 50	Double
51320	9.4 / 2.9	3.6 / 1.1	13.0 / 4.0	291 / 140	8 / 200	7.8 / 2.4	110 / 50	Double
51420	12.7 / 3.9	3.6 / 1.1	16.3 / 5.0	316 / 147	8 / 200	7.8 / 2.4	110 / 50	Double
52220	5.9 / 1.9	5.6 / 1.8	11.5 / 3.7	289 / 133	8 / 200	7.8 / 2.4	110 / 50	Double
52320	9.4 / 2.9	5.6 / 1.8	15.0 / 4.7	309 / 138	8 / 200	7.8 / 2.4	110 / 50	Double
52420	12.7 / 3.9	5.6 / 1.8	18.3 / 5.7	333 / 155	8 / 200	7.8 / 2.4	110 / 50	Double

*Note that the net capacity rating refers to additional equipment mounted on radius **R1** beam.
 For single-arm boom You can add any Eurovac Fume Arm with lengths up to **4m**.
 For double-arm boom You can mount Eurovac Fume Arm with lengths up to **3m**.

Equipment Dimensions (see drawing on the front page):

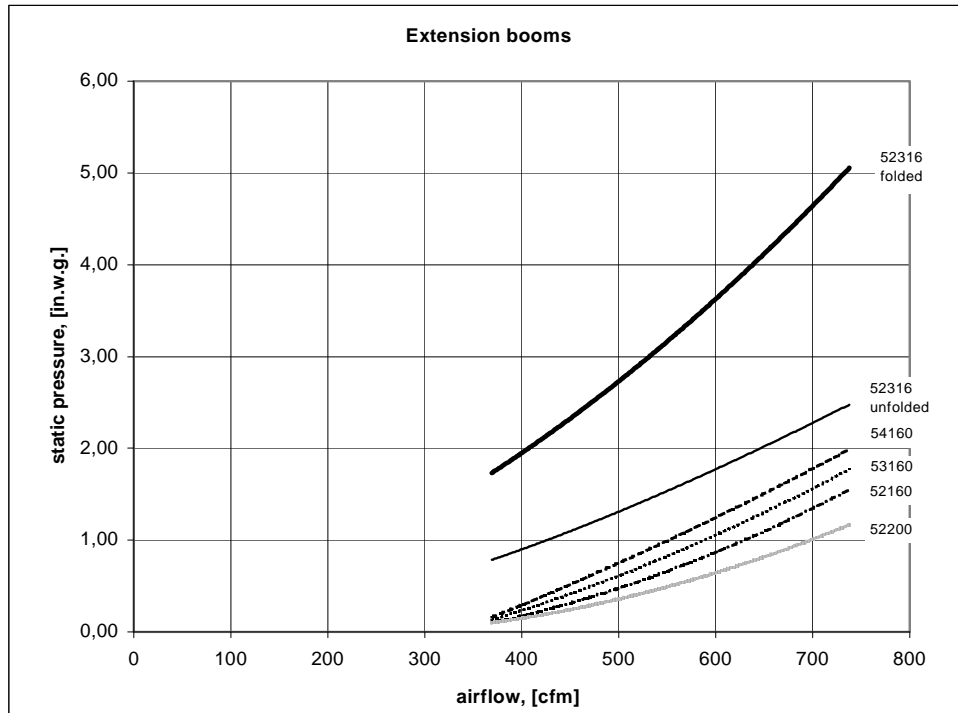
Extension boom type	Connection dimensions								
	mounting seats [inches]/[mm]				mounting bracket [inches]/[mm]				
	n	M (metric thread)	D	D1	D2	B	H	L1	L2
52160	6	6	.31 / 7	6.42 / 163	7.56 / 195	7.09 / 180	21.97 / 558	11.81 / 300	6.06 / 150
53160	6	6	.31 / 7	6.42 / 163	7.56 / 195	7.09 / 180	21.97 / 558	11.81 / 300	6.06 / 150
54160	6	6	.31 / 7	6.42 / 163	7.56 / 195	7.09 / 180	21.97 / 558	11.81 / 300	6.06 / 150
55160	6	6	.31 / 7	6.42 / 163	7.56 / 195	7.09 / 180	21.97 / 558	11.81 / 300	6.06 / 150
56160	6	6	.31 / 7	6.42 / 163	7.56 / 195	7.09 / 180	21.97 / 558	11.81 / 300	6.06 / 150
51216	6	6	.31 / 7	6.42 / 163	7.56 / 195	7.09 / 180	21.97 / 558	11.81 / 300	6.06 / 150
51316	6	6	.31 / 7	6.42 / 163	7.56 / 195	7.09 / 180	21.97 / 558	11.81 / 300	6.06 / 150
51416	6	6	.31 / 7	6.42 / 163	7.56 / 195	7.09 / 180	21.97 / 558	11.81 / 300	6.06 / 150
52216	6	6	.31 / 7	6.42 / 163	7.56 / 195	7.09 / 180	21.97 / 558	11.81 / 300	6.06 / 150
52316	6	6	.31 / 7	6.42 / 163	7.56 / 195	7.09 / 180	21.97 / 558	11.81 / 300	6.06 / 150
52416	6	6	.31 / 7	6.42 / 163	7.56 / 195	7.09 / 180	21.97 / 558	11.81 / 300	6.06 / 150
52200	8	8	.35 / 9	7.95 / 202	9.68 / 246	9.84 / 250	33.86 / 860	11.81 / 300	7.38 / 188
53200	8	8	.35 / 9	7.95 / 202	9.68 / 246	9.84 / 250	33.86 / 860	11.81 / 300	7.38 / 188
54200	8	8	.35 / 9	7.95 / 202	9.68 / 246	9.84 / 250	33.86 / 860	11.81 / 300	7.38 / 188
55200	8	8	.35 / 9	7.95 / 202	9.68 / 246	9.84 / 250	33.86 / 860	11.81 / 300	7.38 / 188
56200	8	8	.35 / 9	7.95 / 202	9.68 / 246	9.84 / 250	33.86 / 860	11.81 / 300	7.38 / 188
51220	8	8	.35 / 9	7.95 / 202	9.68 / 246	9.84 / 250	33.86 / 860	11.81 / 300	7.38 / 188
51320	8	8	.35 / 9	7.95 / 202	9.68 / 246	9.84 / 250	33.86 / 860	11.81 / 300	7.38 / 188
51420	8	8	.35 / 9	7.95 / 202	9.68 / 246	9.84 / 250	33.86 / 860	11.81 / 300	7.38 / 188
52220	8	8	.35 / 9	7.95 / 202	9.68 / 246	9.84 / 250	33.86 / 860	11.81 / 300	7.38 / 188
52320	8	8	.35 / 9	7.95 / 202	9.68 / 246	9.84 / 250	33.86 / 860	11.81 / 300	7.38 / 188
52420	8	8	.35 / 9	7.95 / 202	9.68 / 246	9.84 / 250	33.86 / 860	11.81 / 300	7.38 / 188

WORKING AREA (WITH EUROVAC SELF-LOCKING-ARM):

	Extension boom type	R1 [feet]/[m]	R2 [feet]/[m]	Rmax* [feet]/[m]	Minimum mounting height (Hmin) [feet] / [m]
	52160	6' / 1.9	-	up to 13ft / 4m	7.8 / 2.4
	53160	9.3 / 2.9	-	up to 13ft / 4m	7.8 / 2.4
	54160	12.6 / 3.8	-	up to 13ft / 4m	7.8 / 2.4
	55160	15.3 / 4.8	-	up to 13ft / 4m	7.8 / 2.4
	56160	18.6 / 5.8	-	up to 13ft / 4m	7.8 / 2.4
	51216	5.9 / 2.0	3.6 / 1.1	up to 10ft / 3m	7.8 / 2.4
	51316	9.8 / 3.0	3.6 / 1.1	up to 10ft / 3m	7.8 / 2.4
	51416	12.5 / 3.8	3.6 / 1.1	up to 10ft / 3m	7.8 / 2.4
	52216	5.9 / 2.0	5.9 / 1.8	up to 10ft / 3m	7.8 / 2.4
	52316	9.8 / 3.0	5.9 / 1.8	up to 10ft / 3m	7.8 / 2.4
	52416	12.5 / 3.8	5.9 / 1.8	up to 10ft / 3m	7.8 / 2.4
	52200	6.9 / 2.1	-	up to 13ft / 4m	7.8 / 2.4
	53200	9.5 / 2.9	-	up to 13ft / 4m	7.8 / 2.4
	54200	12.5 / 3.8	-	up to 13ft / 4m	7.8 / 2.4
	55200	16.1 / 4.9	-	up to 13ft / 4m	7.8 / 2.4
	56200	19.4 / 5.9	-	up to 13ft / 4m	7.8 / 2.4
	51220	5.9 / 1.9	3.6 / 1.1	up to 10ft / 3m	7.8 / 2.4
	51320	9.4 / 2.9	3.6 / 1.1	up to 10ft / 3m	7.8 / 2.4
	51420	12.7 / 3.9	3.6 / 1.1	up to 10ft / 3m	7.8 / 2.4
	52220	5.9 / 1.9	5.6 / 1.8	up to 10ft / 3m	7.8 / 2.4
	52320	9.4 / 2.9	5.6 / 1.8	up to 10ft / 3m	7.8 / 2.4
	52420	12.7 / 3.9	5.6 / 1.8	up to 10ft / 3m	7.8 / 2.4

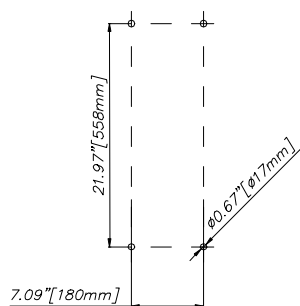
Rmax depends on length of Eurovac arm used.

AIRFLOW DIAGRAMS FOR SOME EXTENSION BOOMS:

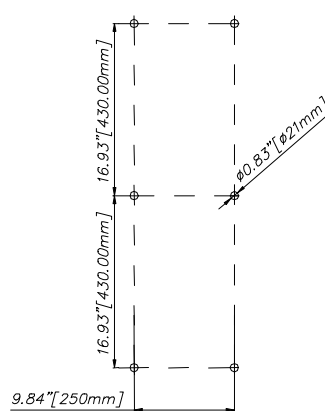


PIVOTING BOOMS MOUNTING BRACKET:

diameter of ducting system
and connection: 6"



diameter of ducting system
and connection: 8"





Head Office

116 Buttermilk Ave.
Concord, ON, L4K 3X7
Toll Free Ph. 800-265-3878

www.eurovac.com email: info@eurovac.com

Sales Office

Ph: 905-738-9255
Fax: 905-738-4603