

EUROVAC I – INDUSTRIAL PORTABLE



Powerful Regenerative Blower

Ideal for orbital sanding, grinding, welding or housekeeping applications.

Long lasting - Low Maintenance

The regenerative blower has a T.E.F.C. Induction motor rated for 20,000 hours, which outlasts brush motors found in most portables. Regenerative motors require little or no maintenance.

Superior Filtration

Cyclonic filtration removes 99% of dust before the secondary filter. This results in the unit operating much more efficiently than units which do not have cyclonic filtration. The remaining 1% of dust is removed by a secondary cartridge filter which cleaned by compressed air pulse jet cleaning action.

HEPA Filtration

HEPA filtration is available by adding a filter between the pump and the cartridge filters. HEPA filters remove any remaining particles to 99.97% at .3 microns or larger.

Technical Data:

Model Number	EIP-P02 - 18148002	EIP-P05 - 18144002	EIP-P10 - 18144002
Horse Power	5 HP	10 HP	15 HP
Voltage	208,240,46 0, 575	208,240,460, 575	208,240,460, 575
Power	3 PH 60 Hz	3 PH 60 Hz	3 PH 60 Hz
Airflow (max.)	212 CFM	340 CFM	668 CFM
Pressure (max.)	108" WC	124" WC	108" WC
Sound Level @ 10'	78 dB(A)	79 dB(A)	79 dB(A)
Collection Capacity	20 gallons	20 gallons	30 gallons
Filter Area	42 ft ²	42 ft ²	100 ft ²
Filter Efficiency	99.93% @ 3 microns or larger		
HEPA (opt.)	99.97% @ 0.3 microns		

Applications:



Sanding



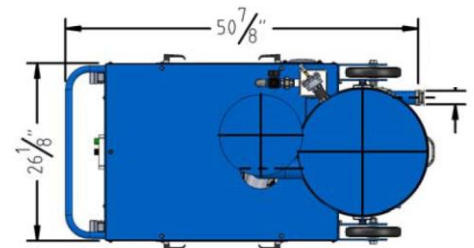
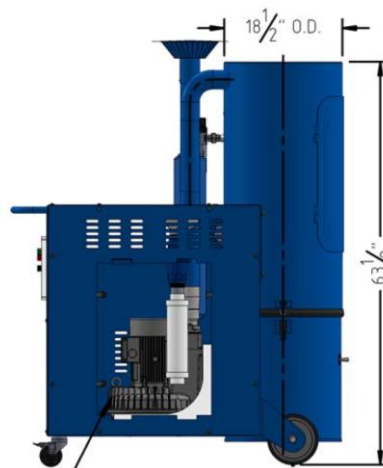
Grinding



Welding



Housekeeping



For more information, contact Eurovac:

CANADA and USA
Toll-Free 800-265-3878 / Fax 416-744-8079
info@eurovac.com

44 Milvan Dr., North York, ON M9L 1Z3
5927 Center Rd, Unit 3, Valley City, OH 44039