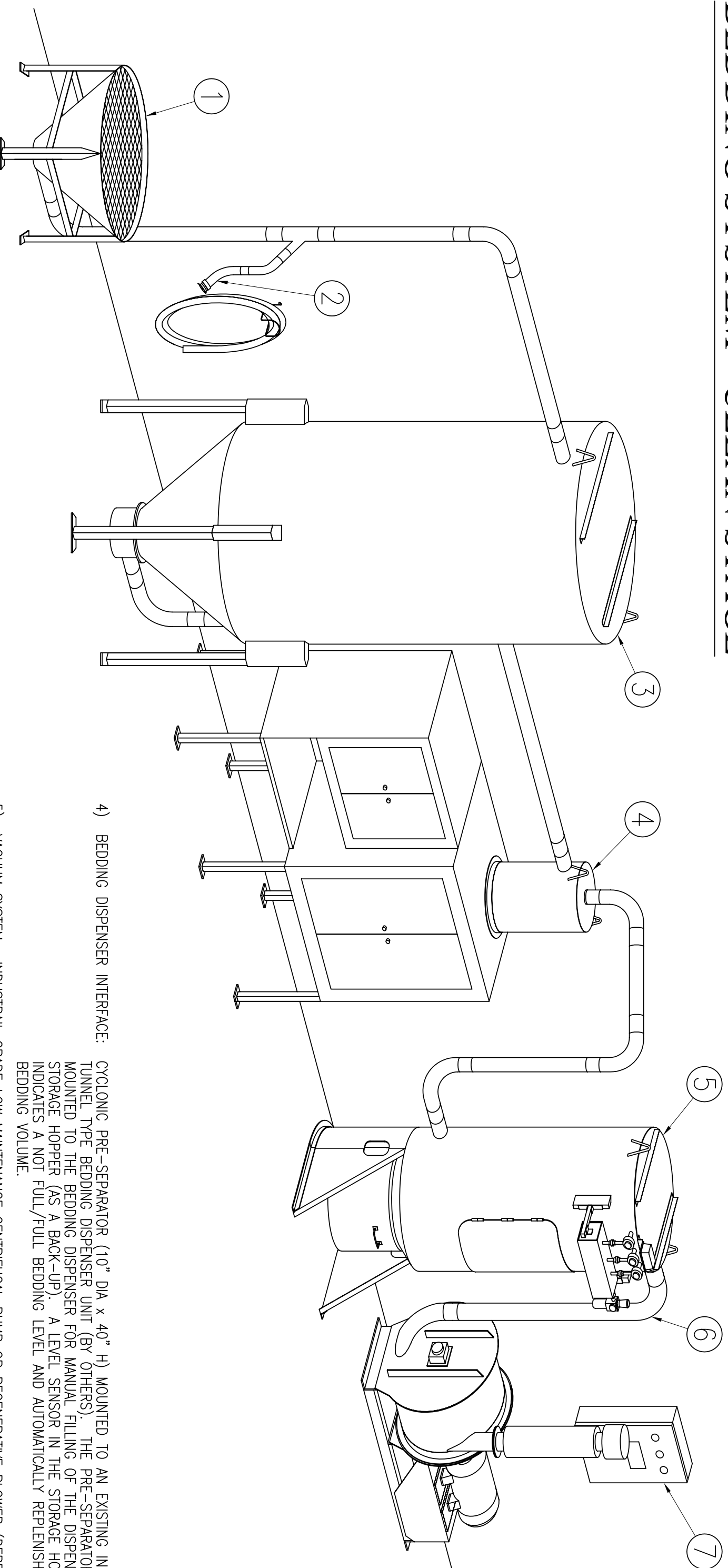


BEDDING SYSTEM - CLEAN STAGE



SYSTEM OPERATION:

THE DISPENSING SYSTEM STARTS WITH CLEAN ANIMAL BEDDING MATERIALS BEING DUMPED INTO THE FILLING FUNNEL. THE CENTRAL VACUUM SYSTEM AUTOMATICALLY DRAWS CLEAN BEDDING MATERIALS FROM THE FILLING FUNNEL INTO THE BEDDING STORAGE SILO. CLEAN BEDDING MATERIAL IS AUTOMATICALLY TRANSPORTED FROM THE BEDDING STORAGE SILO THROUGH THE TRANSPORT PIPING INTO THE BEDDING DISPENSING SYSTEM.

1) FILLING FUNNEL (32" DIA x 37" H): STAINLESS STEEL CONSTRUCTION WITH DRAIN TAP TO FACILITATE RINSING, EJECTOR AND AUTOMATIC SHUTTER VALVE. INCLUDES OPERATOR'S PANEL WITH ON/OFF SWITCH.

2) HOUSE KEEPING DROP: ATTACHED TO THE FILLING FUNNEL WHICH ALLOWS FOR CLEANING OF THE OPERATORS AREA. INCLUDED WITH THE DROP IS OUR INLET VALVE AND A SHOP CLEANING PACKAGE WHICH INCLUDES A 25' HOSE, WAND, FLOOR TOOL CREVICE TOOL.

3) BEDDING STORAGE SILO: STAINLESS STEEL CONSTRUCTION (50" DIA x 12.5', 2.6 cu. yd. CAPACITY) WITH BOTTOM EJECTOR AND AUTOMATIC SHUTTER VALVE AND BIN LEVEL SENSOR.

4) BEDDING DISPENSER INTERFACE:

CYCLONIC PRE-SEPARATOR (10" DIA x 40" H) MOUNTED TO AN EXISTING IN-LINE TUNNEL TYPE BEDDING DISPENSER UNIT (BY OTHERS). THE PRE-SEPARATOR IS MOUNTED TO THE BEDDING DISPENSER FOR MANUAL FILLING OF THE DISPENSER STORAGE HOPPER (AS A BACK-UP). A LEVEL SENSOR IN THE STORAGE HOPPER INDICATES A NOT FULL/FULL BEDDING LEVEL AND AUTOMATICALLY REPLENISHES THE BEDDING VOLUME.

5) VACUUM SYSTEM:

INDUSTRIAL GRADE LOW MAINTENANCE CENTRIFUGAL PUMP OR REGENERATIVE BLOWER (DEPENDING ON THE SIZE OF THE SYSTEM AND LENGTH OF PIPING RUNS) AND APPROPRIATELY SIZED CYCLONIC FILTER SEPARATOR WITH CARTRIDGE FILTERS WHICH ARE AUTOMATICALLY CLEANED BY A PULSE OF REVERSE COMPRESSED AIR.

6) TRANSPORT PIPING: STAINLESS STEEL THIN WALLED TUBING AND LONG RADIUS BENDS CONNECTED WITH COMPRESSION COUPLINGS.

7) CONTROLS:

DEPENDING ON THE BUDGET A FULL RANGE OF CONTROL OPTIONS IS AVAILABLE INCLUDING PLC CONTROL PANELS WHICH CONTROL ALL PROCESS OPERATIONS, FUNCTIONS AND INTERFACES. AS WELL THE PLC CONTROL PANELS CAN INCLUDE BUILT-IN DIAGNOSTIC AND MAINTENANCE FUNCTIONS. THE CONTROLLER WILL BE CAPABLE OF CONTROLLING BOTH THE CLEAN AND DIRTY SIDE OF THE VACUUM SYSTEM.