

GENERAL NOTES:

- ALL LOCATIONS AND DISTANCES ARE APPROXIMATE.
- CUSTOMER TO VERIFY THE FOLLOWING:
 - ALL LOCATIONS;
 - ALL DISTANCES;
 - BUILDING ELEVATION AND ACCESS;
 - LINE VOLTAGE.
- EIII 20HP VACUUM SYSTEM CAPABLE OF PRODUCING 480 CFM @ 8" Hg
ELECTRICAL REQUIREMENTS
 SUPPLY: 480/3/60
- WEIGHT OF UNIT: 5650 LBS
- POWDER COATING/FINISHING
 - EXTERIOR = RAL 5015
 - INTERIOR OF CONTAINER = STANDARD GRAY PRIMER
 - EQUIPMENT WHITE

REVISIONS		
REV.	DESCRIPTION	DATE

4	ISSUE FOR APPROVAL	11/09/21
3	ISSUE FOR APPROVAL	11/02/21
2	ISSUE FOR APPROVAL	10/15/21
1	ISSUE FOR APPROVAL	08/27/21
NO.	ISSUE DESCRIPTION	DATE

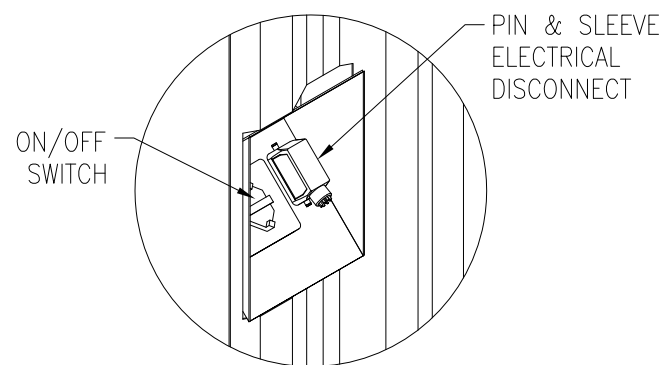
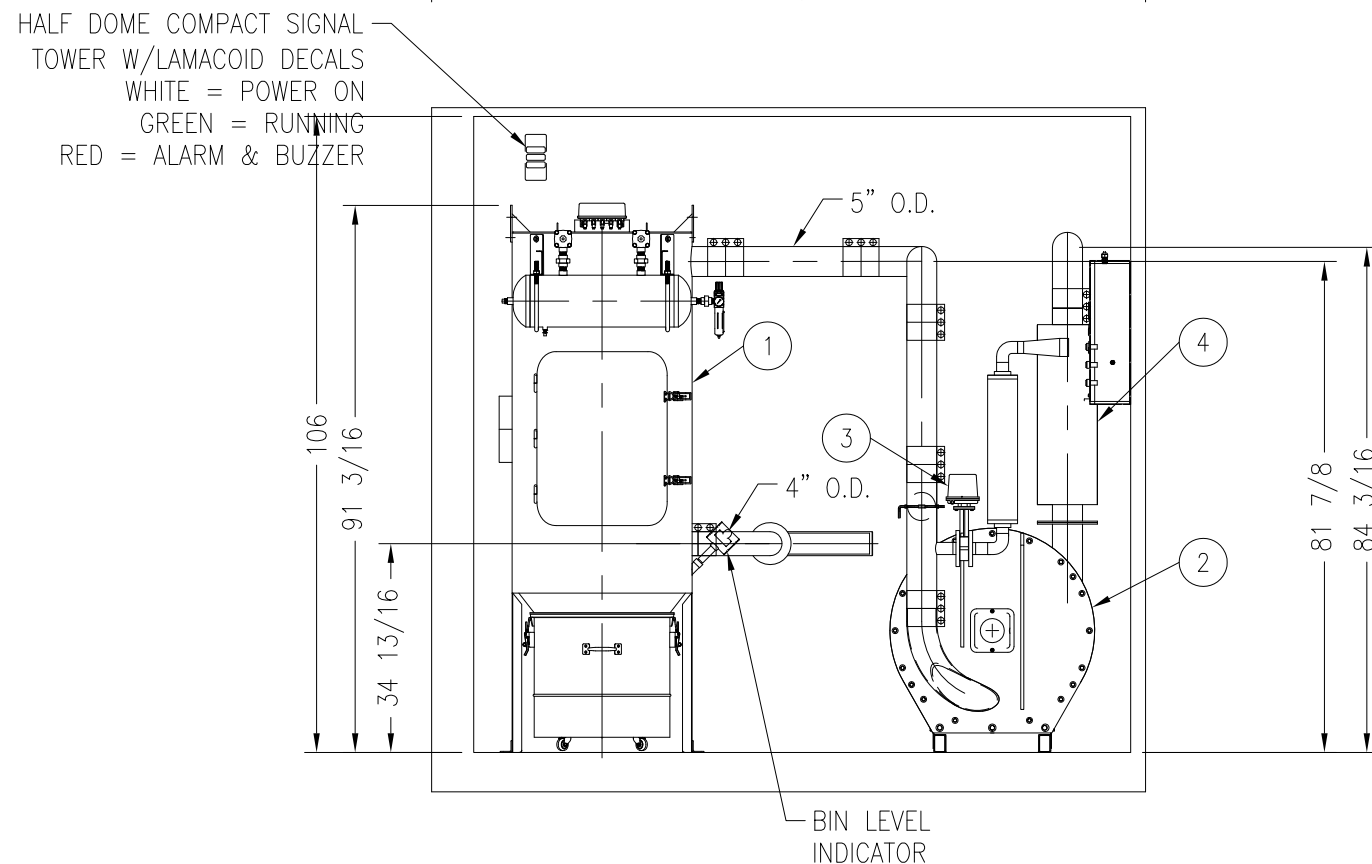
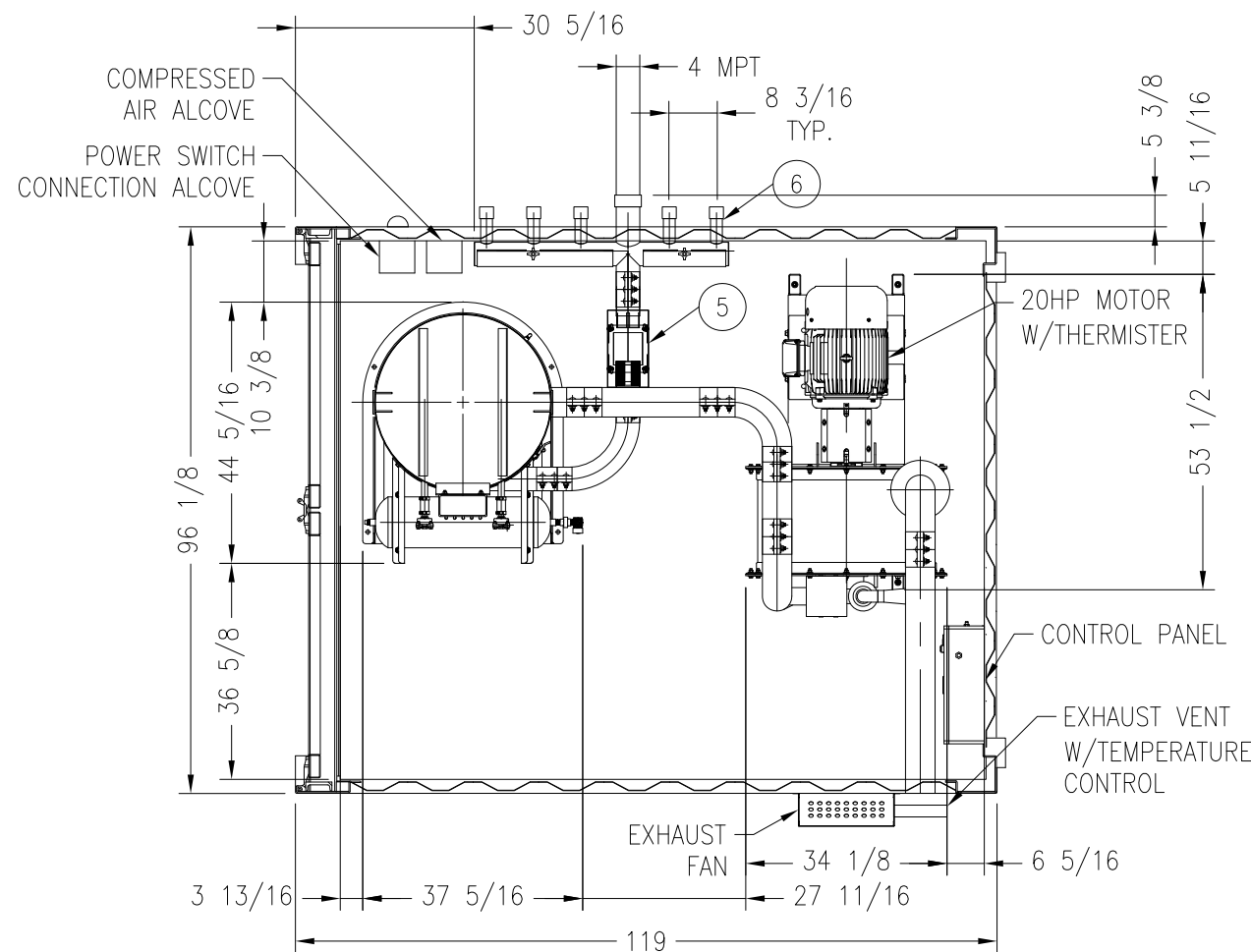
PROJECT:

SHEET TITLE:
EUROVAC VACUUM SYSTEM
EQUIPMENT LAYOUT

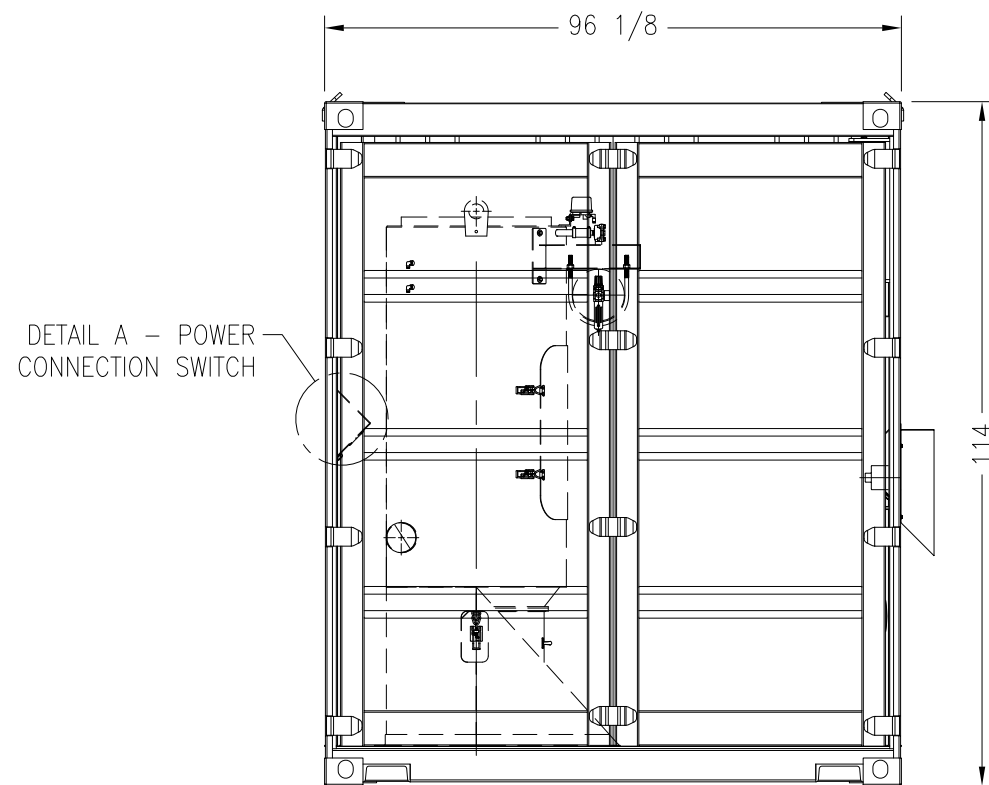
DRAWN BY: A.T.	CHECKED BY: C.B.	APPROVED BY: K.G.
DATE: 08/27/21	ORDER NO.: 70994	
SCALE: 1:32	CONTRACT NO.: 14471	
SHEET: 1 OF 1	DWG. NO.: AS EL-01	

NOTE:

- DIMENSIONS AND DESIGN ARE SUBJECT TO CHANGE AT MANUFACTURER'S DISCRETION AT ANY TIME AND WITHOUT NOTICE.
- THIS DOCUMENT CONTAINS PROPRIETARY AND CONFIDENTIAL DATA OF EUROVAC, NO DISCLOSURE REPRODUCTION OR USE OF ANY PART THEREOF, MAY BE MADE WITHOUT WRITTEN PERMISSION OF THE COMPANY.



DETAIL A – POWER AND COMPRESSED AIR ALCOVE LOCATED ON EXTERIOR
SCALE: NTS



DETAIL A – POWER CONNECTION SWITCH

ITEM	QTY.	SUPPLIER	DESCRIPTION	DWG. NO./PART NO.
1	1	CLEAN AIR TECH.	ø30" PULSE JET SEPARATOR WITH 2 NANOFIBER FILTERS (440 SQ FT)	PRODUCT SPEC. SHEET
2	1	CLEAN AIR TECH.	20HP MULTISTAGE EXHAUSTER (480 CFM @ 8"HG) 480/3/60	PRODUCT SPEC. SHEET
3	1	CLEAN AIR TECH.	2" ACTUATOR MOTORIZED SURGE CONTROL VALVE C/W BUTTERFLY VALVE	PRODUCT SPEC. SHEET
4	1	CLEAN AIR TECH.	5" SILENCER	PRODUCT SPEC. SHEET
5	1	CLEAN AIR TECH.	4" SPARK ARRESTOR	PRODUCT SPEC. SHEET
6	1	CLEAN AIR TECH.	4" MANIFOLD WITH (5) 2" MPT & (1) 4" MPT	PRODUCT SPEC. SHEET

APPROVED BY:

SIGNATURE:

DATE: