

## PAY STATIONS - CENTRAL & STAND ALONE VACUUMS



Pay stations for central vacuums

Eurovac offers a wide variety of payment options to fit your customers needs and vacuum preferences. All payment options can be linked to both stand alone or central vacuum systems. Simply select the options that suit you best and let Eurovac do the rest to set you up with a vacuum that is ready to pay for use.

All Eurovac systems are custom engineered and are specifically tailored to satisfy the needs of each unique carwash facility.



Pay stations for stand alone vacuums

### Available Pay Station Options:



COIN



BILL



TOKEN



CREDIT CARD



TAP TECHNOLOGY



BARCODE ACTIVATION



Depending on your payment option(s), each pay station will be custom made with a corresponding decal and instructions so customers can operate vacuums seamlessly for an optimal, hassle-free experience.

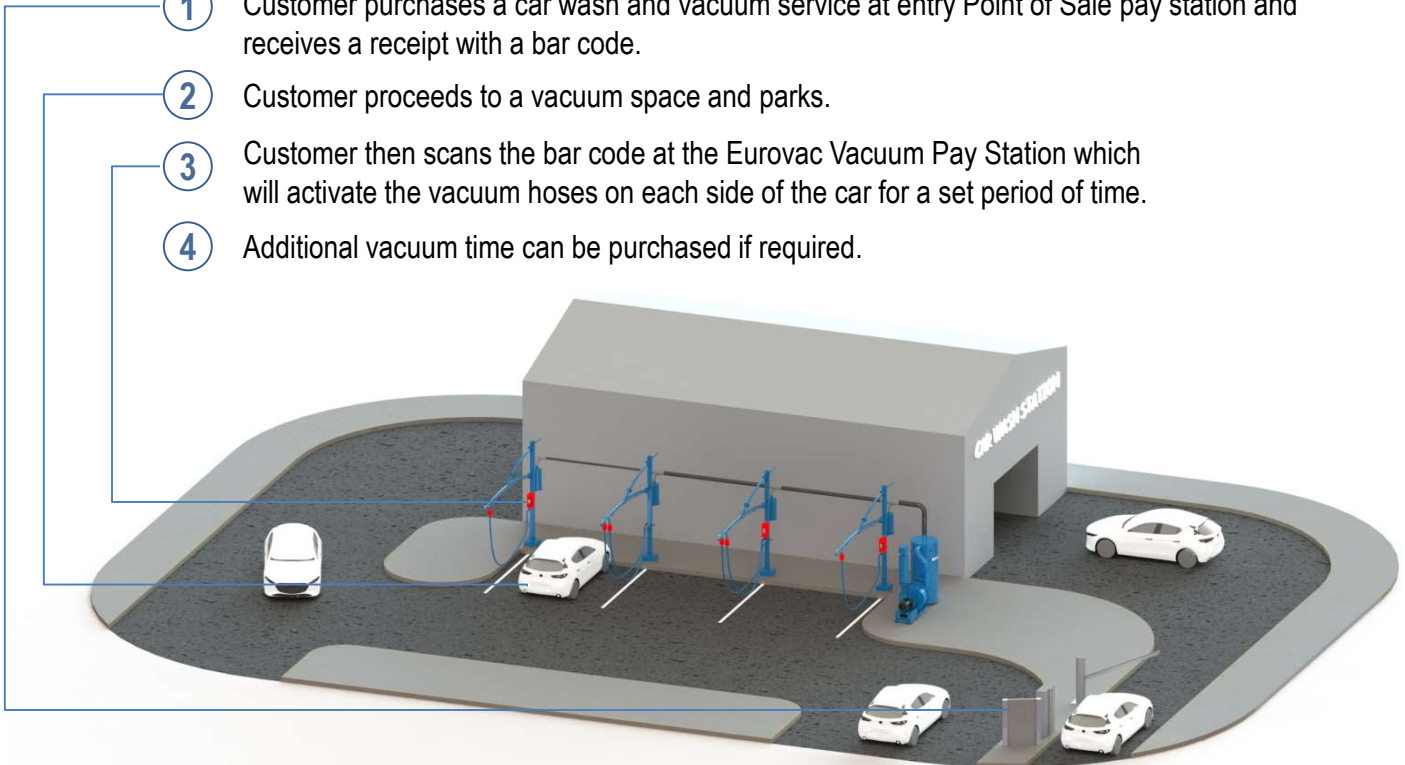
**Note:** Electric required to be brought to all pay terminal locations whether it is stand alone or a central unit. For central systems air is require to all pay terminal locations. *(Consult with a sales representative for additional electric and air specifics.)*

## PAY STATIONS INTEGRATED WITH CENTRAL VACUUM SYSTEMS

Eurovac Pay Stations can be integrated with central vacuum systems which allows you to charge customers a fee for accessing vacuum bays for a certain period of time. Here's how:

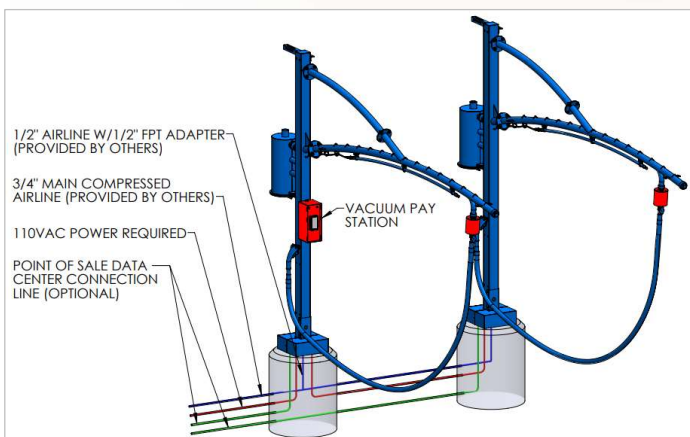
### With purchase of carwash:

- 1 Customer purchases a car wash and vacuum service at entry Point of Sale pay station and receives a receipt with a bar code.
- 2 Customer proceeds to a vacuum space and parks.
- 3 Customer then scans the bar code at the Eurovac Vacuum Pay Station which will activate the vacuum hoses on each side of the car for a set period of time.
- 4 Additional vacuum time can be purchased if required.



### Without purchase of carwash:

- 1 Customer enters and parks in a vacuum space.
- 2 Customer purchases vacuum time at the Eurovac Vacuum Pay Station which activates the vacuum hoses on each side of the car for a set period of time. Multiple payment methods are available for the Eurovac Vacuum Pay Station (see other side for payment options).
- 3 Additional vacuum time can be purchased if required.



For more information, contact Eurovac:

CANADA and USA  
Toll-Free 800-265-3878 / Fax 416-744-8079  
info@eurovac.com

www.eurovac.com

44 Milvan Dr., North York, ON M9L 1Z3  
5927 Center Rd, Unit 3, Valley City, OH 44039