

EUROVAC II – 2.5HP COMPACT WELDING PORTABLE



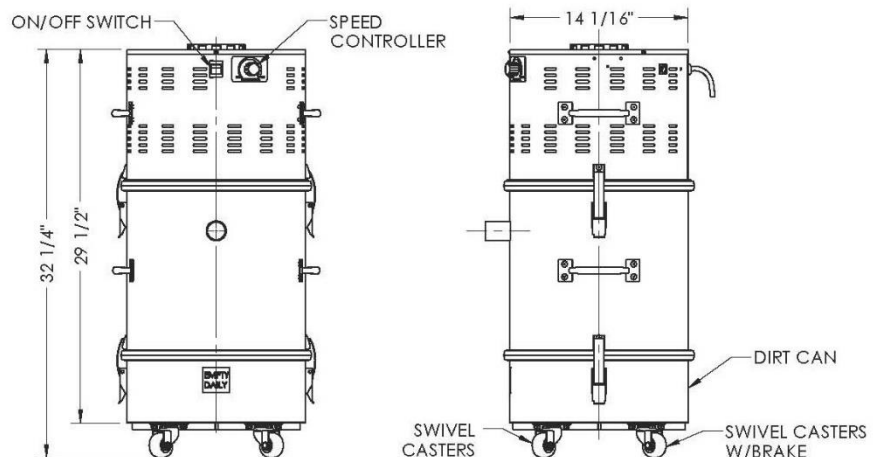
POR-P25-B01F0103

Technical Data:

Specifications	
Voltage	1 Phase 60Hz 220/120
Current Draw	13 amps
Power	1300 watts
Waterlift, max.	113 inches H2O
Airflow, max.	115 cfm
Collection Canister	3 gallons
Weight	85 lbs.
Sound Level @ 10'	72 dB(A)
Filter Area	23 ft ²
Filter Efficiency	99.93% @ 3 microns
HEPA (optional)	99.97% @ 0.3 microns
Height	32 1/4 inches
Width	14 inches
Depth	14 inches

- Unit comes standard with one 2.5HP brush motors for 4000hrs of intermittent duty
- Superior Filtration: Initial spark deflector & final cartridge filter (23 ft.² filter media) effectively captures 99.93% of particles at 3 microns or larger
- Locking casters
- Controls (On/Off): 2 Position switch
- Electrical: 115/1/60 and includes a 15' electrical cord
- Inlet: 1.5"
- Includes one 1.5" x 15' vacuum hose
- Optional upgrade to HEPA filtration available

Applications:



For more information, contact Eurovac:

CANADA and USA
Toll-Free 800-265-3878 / Fax 416-744-8079
info@eurovac.com

44 Milvan Dr., North York, ON M9L 1Z3
5927 Center Rd, Unit 3, Valley City, OH 44039